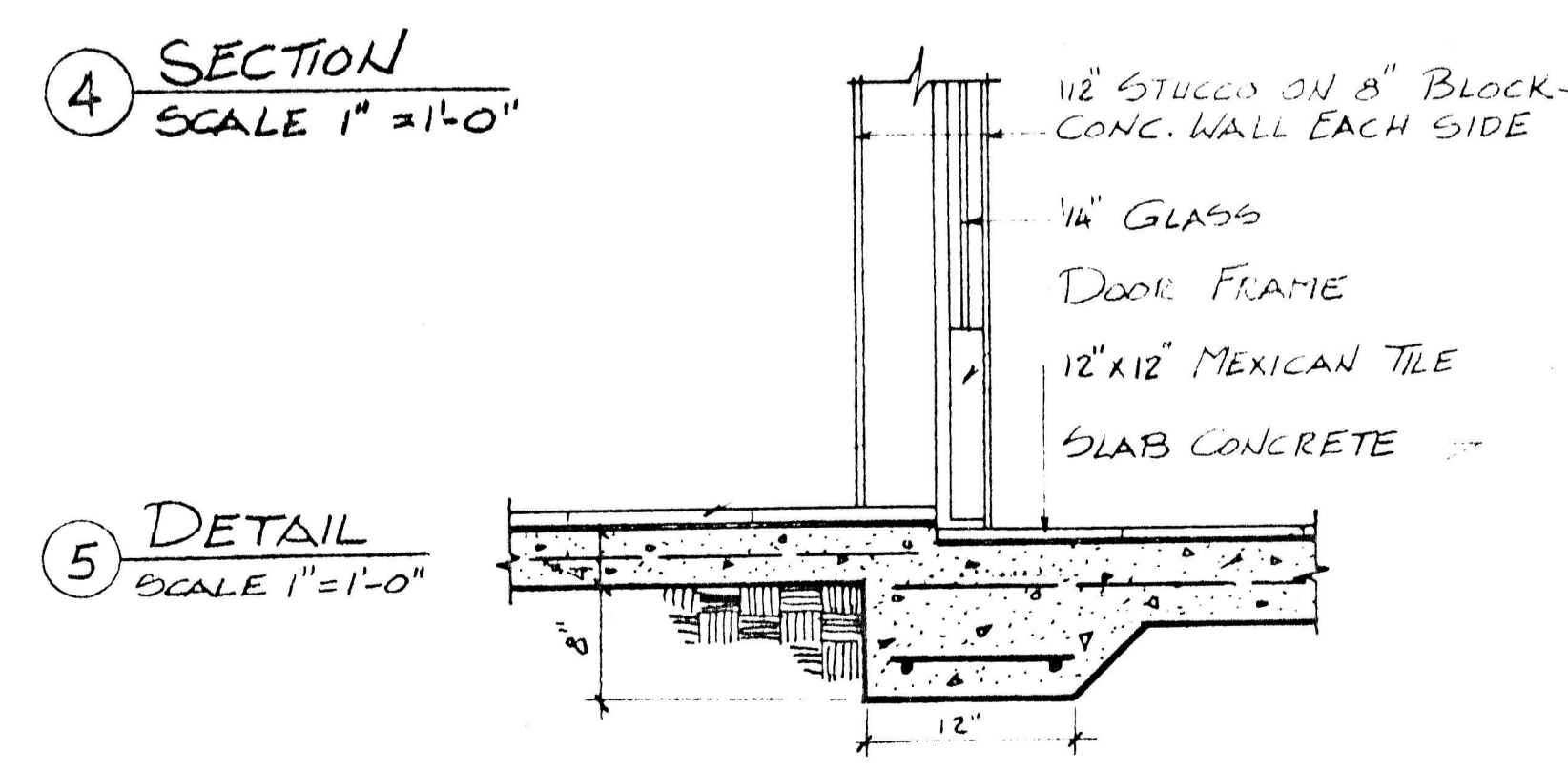
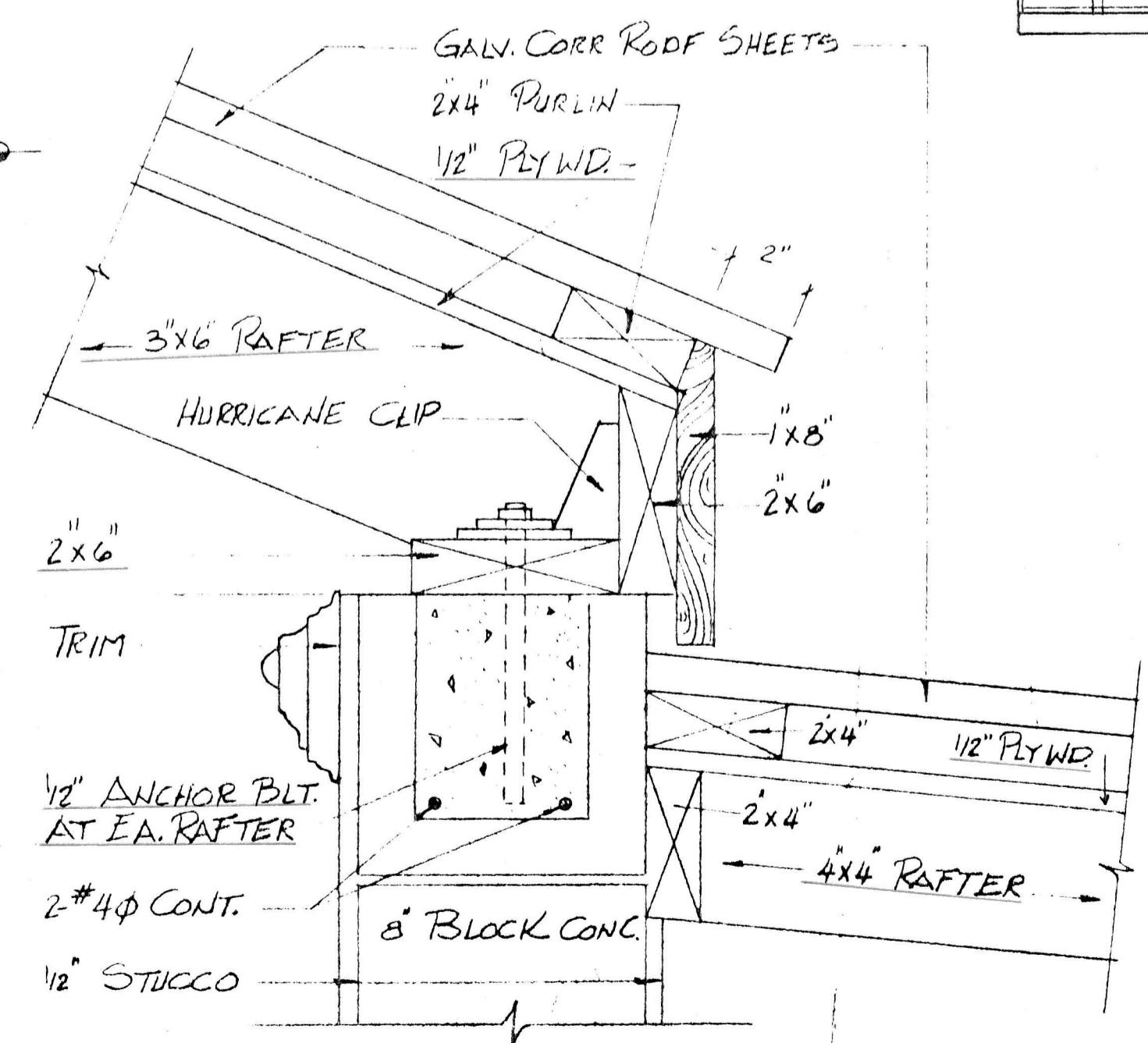
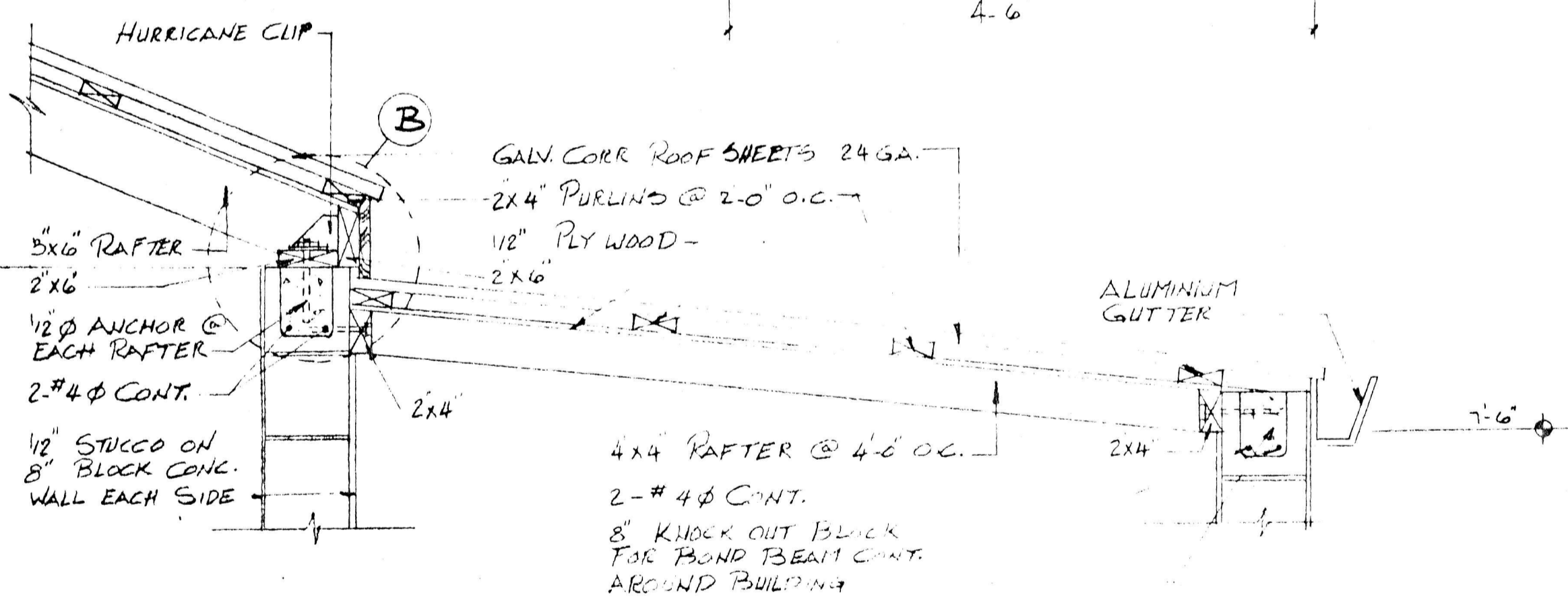


**ROOF PLAN & DETAILS**  
SCALE 1/4" = 1'-0"



CARIBBEAN CONSTRUCTION SERVICES & ASSOCIATES		DATE	APPROVED BY	DRAWN BY
SCALE 1/4" = 1'-0"	6.29.1987	M.A.M.		
VILLA MADELEINE		PROJECT NUMBER	S-2	
ROOF PLAN & SECTIONS				